

Product Technical Data Sheet

10 -16 Flat Countersunk Trim head with Ribs Wing Tek[®]s

Part Number	Description	Pack Qty	Pallet Qty
6-321-0057-9CC	10 -16 x 40 Flat Countersunk Trim head with Ribs Wing Tek [®] s Climacoat	500 / 2000	144,000

Application:

Buildex[®] 10 -16 Flat Countersunk Trim Head with Ribs Wing Tek[®]s Screw is used for fixing timber floor, fences and composite boards to metal.

Floor, fence or composite timber thickness: 8.0 mm ~ 22.0 mm

Drill Capacity into metal: 1,2 mm ~ 3,5 mm

Features:

Trim Head

Underhead Teeth

Tek[®]s Point

Wing Tek[®]s

Benefits:

Easier to counter-sinking as the head is an 8 gauge head.

For counter-sinking the head into the timber or composite board.

For drilling into steel while ensuring maximum pullout strength and a high strip torque.

Removes the need for pre drilling the timber or composite board.

Installation Instructions:

1. Use a Number 2 Phillips Driver Bit (Buildex[®] Part 1-991-1210-3)
2. Use a mains powered or cordless screw driver with a 2,500 RPM speed.
3. Fit the Number 2 Phillips Driver Bit into the screw and place at the fastening position.
4. Apply consistently firm pressure (end load) to the screw driver until the screw has fastened.

Material: Carbon Steel SAE 1022 | **Heat Treatment:** To AS 3566.1 | **Finish:** Climacoat[®]

Mechanical Properties:

Single Shear Strength (N) 6,000 | Axial Tensile (N) 12,000 | Torsion Strength 8,5 N-m

Pullout Values (N):

Steel Purlin 1,2: 2,320 | Steel Purlin 1,5: 4,200 | Steel Purlin 1,9: 5,500 | Steel Purlin 2,4: 7,820

All values are averages obtained under laboratory conditions and appropriate safety factors should be applied for design purposes.

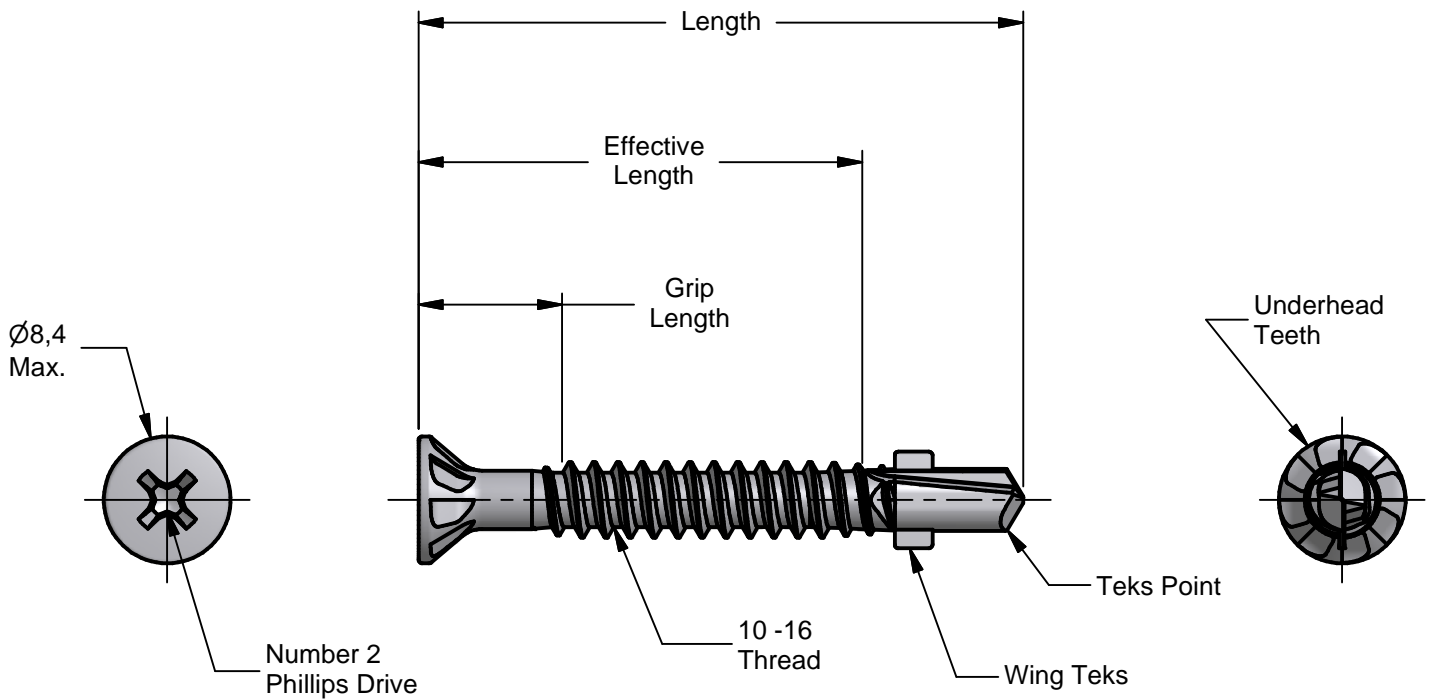
These figures are applicable to Buildex[®] head marked product only.

Corrosion Performance:

The 10 -16 Flat Countersunk Trim head with Ribs Wing Tek[®]s Screw complies to 1000 Hours Salt Spray Testing when tested in accordance to As 2331.3.1

Product Technical Data Sheet

10 -16 Flat Countersunk Trim head with Ribs Wing Tek®



Description	Length	Grip Length	Effective Length
10 -16 x 40 Flat Countersunk Trim Head with Ribs Wing Tek	39.0 / 41.0	9.0 Max.	25.25 Min.

All dimensions nominal unless otherwise stated. Normal manufacturing tolerances apply.

Buildex® Head Office
 600 South Road
 Moorabbin Victoria 3189
 Australia
 1300 368 101
 CustomerService-MBN@buildex.com.au

Buildex® Middle Eastern Sales Office
 middleeastsales@buildex.com.au

Technical Help Desk
 Technicalhelpdesk@buildex.com.au